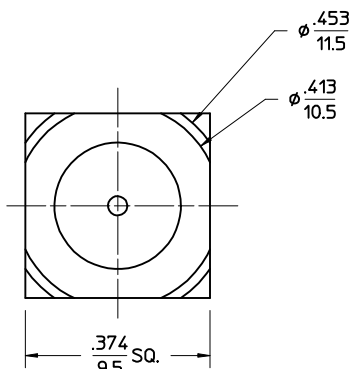
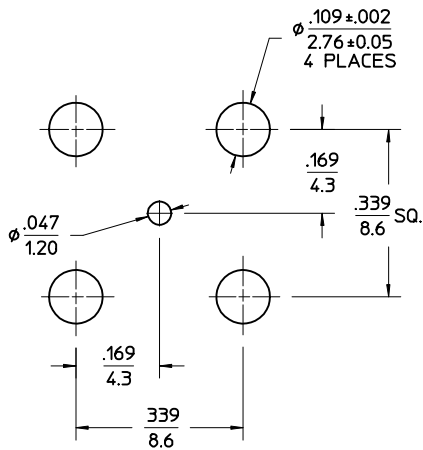
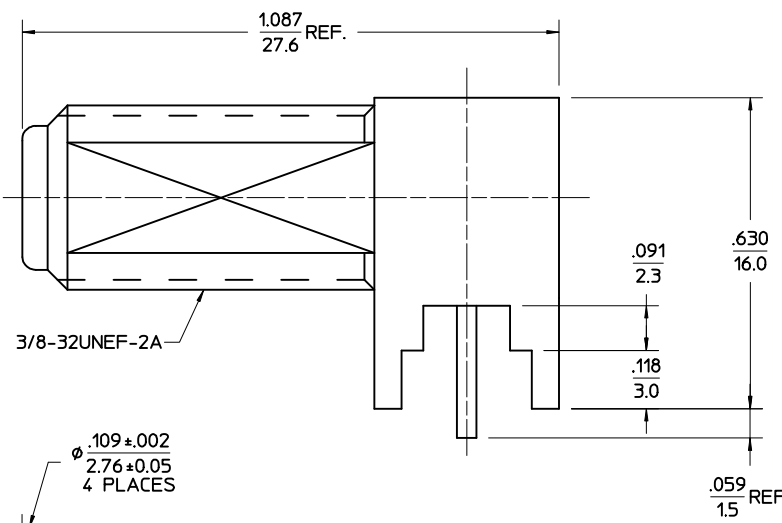
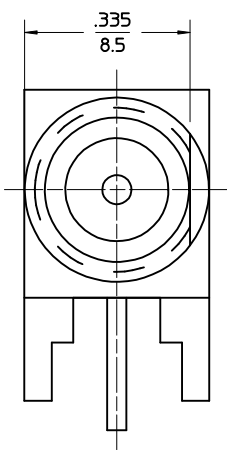


MATERIALS AND FINISHES

BODY
BRASS, NICKEL PLATED

CENTER CONTACT
MATING END: PHOSPHOR BRONZE, TIN PLATED
PCB END: BRASS, TIN PLATED

INSULATOR
PA



PART # 73330-0030

PRODUCT SPECIFICATION	PS-89675-3340
SPECIFICATION	DESCRIPTION

CHG: ADDED MATERIAL & PLATED	EC NO. RF-03-027	CHG: NEW RELEASE
	DRWN: LYNN 2002/09/16	
CHG: ADDED MATERIAL & PLATED	CHK: BETTY CHEN	CHG: NEW RELEASE
	APPR: MISEN HUANG	
CHG: ADDED MATERIAL & PLATED	EC NO. RF-0375	CHG: NEW RELEASE
	DRWN: LYNN LIN	
CHG: ADDED MATERIAL & PLATED	CHK: JEFF PAN	CHG: NEW RELEASE
	APPR: MISEN HUANG	

UNLESS OTHERWISE SPECIFIED DIMS ARE INCHES AND ANGLES ARE DEGREES.

- ✓ 63 ALL OVER.
- NO CHATTER OR NON-UNIFORM SURFACE FINISH ALLOWED.
- PARTS TO BE FREE OF BURRS & SHARP EDGES .005 MAX BREAK.
- EXTERNAL THREADS TO BE ROLLED OR SINGLE POINT.
- DIAMETERS TO BE CONCENTRIC WITHIN .003 TIR.

MAJOR SYMBOLS	GENERAL TOLERANCES: (UNLESS SPECIFIED)	
	mm	INCH
CRITICAL SYMBOLS	4 PLACES	* .13
	3 PLACES	* .13
CRITICAL SYMBOLS	2 PLACES	* .13
	1 PLACE	* .25
ANGULAR: ±2°		
DRAFT WHERE APPLICABLE MUST REMAIN WITHIN DIMENSIONS		

SCALE	DESIGN UNITS
	<input checked="" type="checkbox"/> mm <input type="checkbox"/> INCH
DRAWN BY & DATE	
LYNN LIN 1999/11/23	
CHECKED BY & DATE	
APPROVED BY & DATE	
CAD FILENAME	

DIMENSIONS:		1	B
<input type="checkbox"/> mm	<input checked="" type="checkbox"/> INCH	SHT	REV
<input type="checkbox"/> mm ONLY		REVISE ON CAD ONLY	
TITLE:			
F R/A PCB RECEPTACLE			
F-RA/PCB			
MOLEX INCORPORATED - TAIWAN (MXT)			
MATERIAL NO.	DRAWING NO.	SHEET NO.	
SEE NOTE	SD-73330-003	1 of 1	
THIS DRAWING CONTAINS INFORMATION THAT IS PROPRIETARY TO MOLEX INCORPORATED AND SHOULD NOT BE USED WITHOUT WRITTEN PERMISSION.			SIZE
			B